



CUBRO
NETWORK VISIBILITY

FLEXTAP B 10/100/1000



DATA SHEET

Network TAP

At a glance

Definition

A network TAP (test access point) is an external monitoring device that mirrors the traffic that passes between two network nodes. A TAP is a hardware device inserted at a specific point in the network to monitor data.

Advantages of Cubro FlexTAP B (10/100/1000)

- Provides complete traffic visibility and access to any network connection
- Transparent access
- Fastest switchover time, without dropping the live link
- Smallest footprint - 21 links in one 19 inches and 3 U size
- Transfers all network traffic, including errors, to the monitoring tools
- Extra uptime protection makes the TAP more reliable
- PoE Transparent
- High density (21 Units per 3 RU)
- Industrial design DIN 41612 (EN 60603-2)

Product Review



The Cubro FlexTAP B (10/100/1000) allows the uninterrupted passage of full duplex data over standard Category 5/6 copper network cable. The FlexTAP B features auto negotiating between 10Mbps, 100 Mbps and 1000 Mbps. The TAP duplicates the network signals, including any existing physical errors, to the transmit-only monitoring ports.

This advanced Cubro FlexTAP B is a fully new development based on the latest PHY chips. There are some special add-ons available like PoEtransparent (PoE = Power over Ethernet).

The flexible and easy to install solution consists of 4 parts:

1. 10/100/1000 TAP blade
2. 19 inches rack
3. Power module (100V - 240V AC or 48 DC)
4. Fan module

The major advantage of this concept is easy expansion and installation. Consider a situation where there are 21 single TAPs deployed. In this case, 42 power cords would be required and such a large number of power cords can easily lead to a tangled mess. Compared to other solutions with separate TAPs, the new FlexTAP has only two power connectors for 21 TAPs.

Functions / Benefits:

- The standard function supports fast link recovery, to ensure the fastest possible time to re-establish a link after a power down. This time is also related to the link partners and fully predictable.
- The unit allows to look at the physical details and changes some parameters for a faster recovery.
- Fastest switchover time, without dropping the live link
- Smallest footprint - 21 links in one 19 inches and 3 RU size
- Best price and performance
- Flexible power solution 100V - 240V AC and 48 V DC
- Low power design (green data center)

Product Capabilities / Features

Tapping 10/100/1000 Ethernet links (RJ 45)	One link to two outputs
Fault Propagation	If the link on the input port is going down the output ports will follow with a short delay.
LED Indicators	Status, link, speed
Power	48V DC Power card (Redundancy possibility)
Propagation Delay (In to Out)	< 1 ns
MTBF	778768 hours
Operating Temperature	0 to 55°C
Operating Humidity	80% maximum relative humidity
Physical Dimensions (H x W x D)	133 x 482.6 x 375 mm
Power Consumption	150 W (max. when all 21 slots are loaded)
Rugged Aluminum Housing	19 inches rack, 3 RU with backplane.

Additional Information

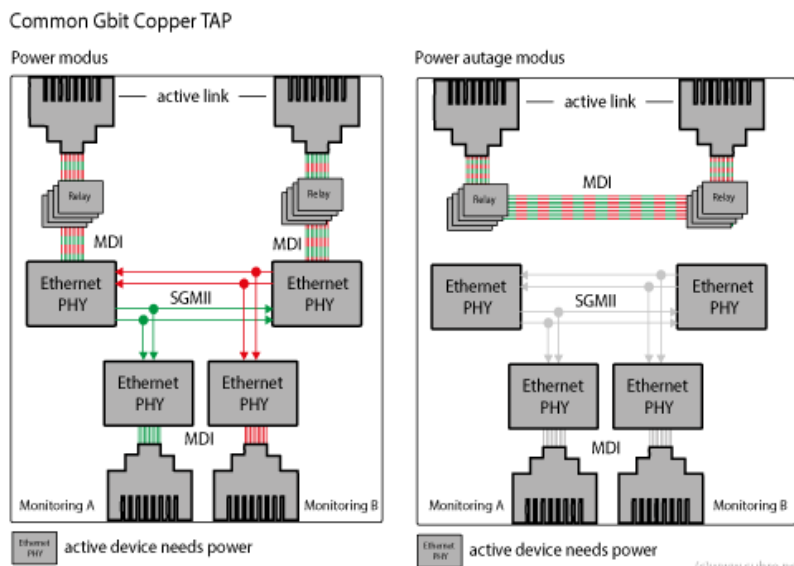
10/100/1000 Aggregation and Filter application

The image shows a fully equipped FlexTAP B chassis and the Cubro EX5-2 can support tapping, aggregation and filtering up to 21 links in one 19 inches 3 RU small footprints. A similar solution from other vendors needs double the size compared to the Cubro solution.



Fastest switchover time

The fast switchover time prevents activation of link protection mechanism because the switching time is so fast that the link partners do not recognize the switch over. As a result, only a few packets are dropped. For example, while tapping a sip link the call stays established during switchover and only a word is missing. This is a big advantage especially for operators. This fast switchover is realized without using battery inside the TAP and it is another advantage because a battery is a serviced item and adds additional issues and cost to the system.





01001011101
00010010001
00100100001
01001001010

Ordering Information

Product Type & Number	Description
CBR.FLEX-T1000-B	FlexTAP 10/100/1000 Base-T TAP for Flexsystem B, 1 Link
CBR.FLEX-RM3A-V-B	Flexsystem B Active Rackmount Kit for 21 FlexTAP B Type, 19", 3 RU height, 2 Fans and 2 power 48V DC supply modules included
CBR.FLEX-FAN-B	Fan Module for Flexsystem B
CBR.FLEX-PS-48-B	Powersupply Card 48V DC for Flexsystem B
CBR.PS-48-FLEX-B	External 230V AC to 48V DC power supply for Flexsystem B

For more information please check our website www.cubro.com.