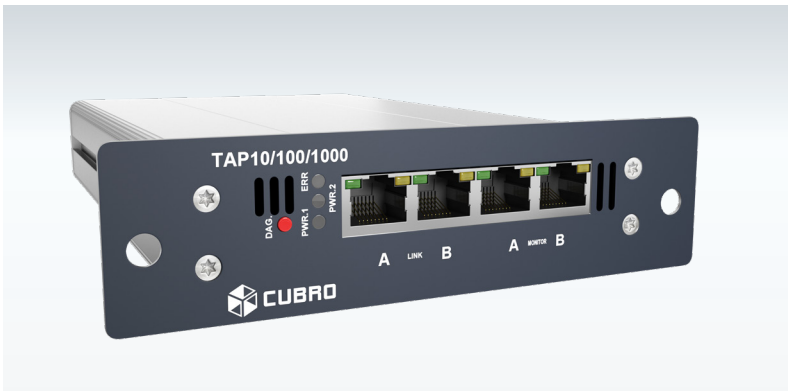


Cubro 10/100/1000 Copper TAP

PRODUCT REVIEW



The Cubro 10/100/1000 Copper TAP allows the uninterrupted passage of full duplex data over standard Category 5/6 copper network cable. Featuring auto negotiating between 10Mbps, 100Mbps and 1000Mbps, this TAP duplicates the network signals, including any existing physical errors to the transmit-only monitoring ports.

This advanced 10/100/1000 Copper TAP is a fully new development based on the latest PHY chips. There are some special add-ons available like PoE transparent (PoE = Power over Ethernet)

Functions / Benefits:

The Cubro 10/100/1000 Copper TAP supports fast link recovery to ensure the fastest possible time to re-establish a link after a power down. This time is also related to the link partners and fully predictable.

This Copper TAP also allows to look at the physical details and change some parameters for a faster recovery.

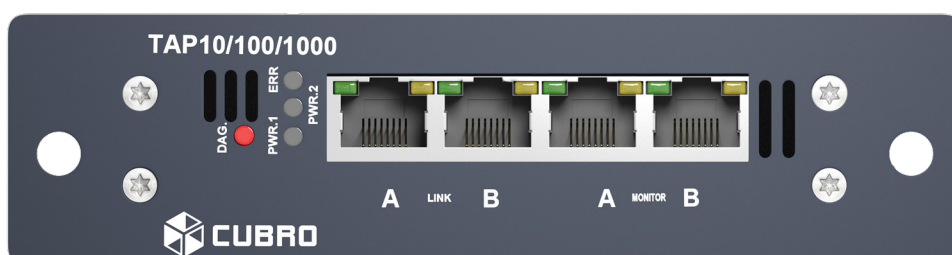
Network TAP At a glance

Definition

A network TAP (test access point) is an external monitoring device that mirrors the traffic that passes between two network nodes. A TAP is a hardware device inserted at a specific point in the network to monitor data.

Advantages of Copper TAP

- Provides complete traffic visibility and access to any network connection
- Transparent access
- Transfers all network traffic, including errors to the monitoring tools
- Extra uptime protection makes the TAPs more reliable
- PoE Transparent

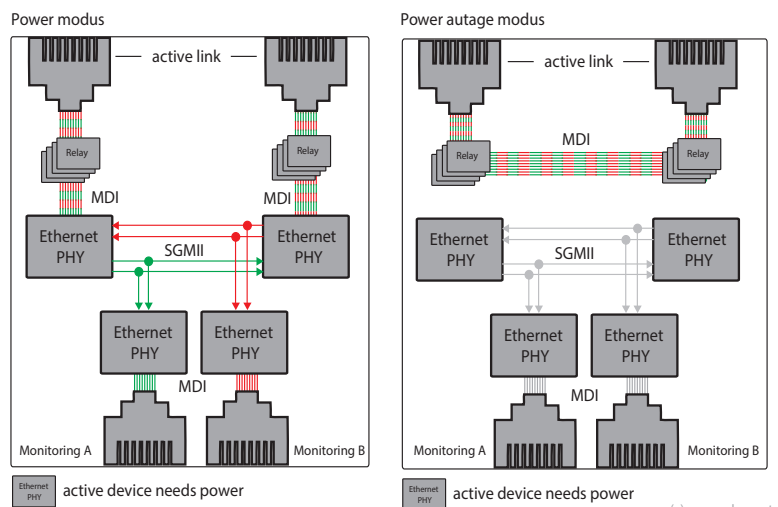


PRODUCT CAPABILITIES / FEATURES

Tapping 10/100/1000 Ethernet links	One link to two outputs
Fault Propagation	If the link on the input port is going down, the output ports will follow with a short delay
LED Indicators	Status, link speed
Power	12 V/DC Dual Power Versions
Propagation Delay (In to Out)	< 1 ns
MTBF	674768 hours
Operating Temperature	0 to 55°C
Operating Humidity	80% maximum relative humidity
Physical Dimensions (H x W x D)	3 x 11,2 x 17 cm 1,8 x 4,4 x 6,7 in
Rugged Aluminum Housing	Stable Aluminium Housing with precise connector labeling on front panel. 19" Rack mounting kit also available

ADDITIONAL INFORMATION

A Cubro 10/100/1000 Copper TAP is not a passive device. The illustration shows the function of the copper TAP. In power mode the relays are open, and the link is connected to a Phy. chip. In the case of power down the relays close and the two-link partners are connected to each other. This is the reason for a little downtime. To avoid this, Cubro offers a small UPS module to power the TAPs during the outage.



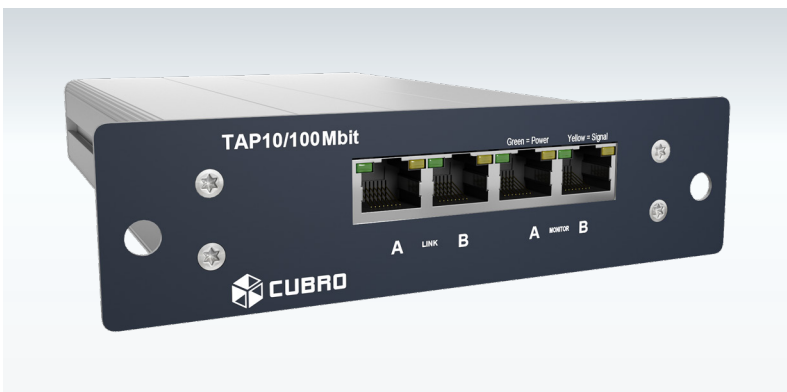
ORDERING INFORMATION

Product Type & Number	Description
CBR.10/100/1000-B-R3	10/100/1000 TAP B Type, 1 Link, 1/3 19" rackmount housing (rackmount kit not included)
CBR.PS-12	Power supply AC/DC 240V AC-85V AC to 12V DC
CBR.RM19-3	Cubro 19" Rackmount Kit for 3x 1/3 19" units

For more information please check our website www.cubro.com

Cubro 10/100 Copper TAP

PRODUCT REVIEW



The Cubro fast ethernet 10/100 Copper TAP provides passive monitoring access to a single full-duplex network. The copper network TAP provides the highest performing and most cost-effective access to devices for passively monitoring your network. The TAP has 100 % throughput, very low delay and fully transparent, even for layer 1 and layer 2 faults.

The copper TAP, intended for permanent installation in the entire network, allows the user to plug and play multiple monitoring devices without disrupting the existing network connection. Additionally, the TAP provides an invaluable frontline of defence by preventing the monitoring device from being seen or hacked by intruders. Designed to maintain network connectivity during power loss, this TAP also consistently delivers zero data loss while replicating network traffic to the monitoring ports for cable lengths of up to the 100m IEEE 802.3 specification limit.

Functions / Benefits:

- Link Forwarding - Each side of the link will be forward to a designated output port
- Jumbo Frame Support - The Cubro Aggregation TAP supports jumbo Ethernet frames with a size of up to 9000 Bytes.
- LINKSAVE Function - Special LINKSAVE Function enables secure Network Links even if the power supply fails. So the TAP does not influence the network, even if it is not powered.

Network TAP

At a glance

Definition

A network TAP (test access point) is an external monitoring device that mirrors the traffic that passes between two network nodes. A TAP is a hardware device inserted at a specific point in the network to monitor data.

Advantages of Copper TAP

- Provides complete traffic visibility and access to any network connection
- Transparent access
- Transfers all network traffic, including errors to the monitoring tools
- Easy operation and installation
- No PC or software necessary
- No bugs, no software updates means more time for your business
- LEDs on the front panel indicates power link and activity status

PRODUCT CAPABILITIES / FEATURES

Network Port Connector	RJ45
Monitor Port Connector	RJ45
Network Port Link Speed	Supports 10M and 100M (fully passive connection; TAP doesn't influence link speed)
Monitor Port Speed	Supports 10M and 100M (fully passive connection; TAP doesn't influence link speed)
Number of Monitor Ports	2 separated for each direction
Storage Temperature	-10°C to 75°C
Operating Temperature	0 to 55°C
Operating Humidity	80% maximum relative humidity
Physical Dimensions (W x D x H)	3 x 11,2 x 17 cm 1,8 x 4,4 x 6,7 in
Housing type	Portable
Power Rating	5W
Power Supply	12 V DC
Weight	0,4kg

All Cubro TAPs can be combined to realise large monitoring solutions. Especially, with the network packet brokers in the middle, it is possible to monitor several hundred ports with one solution.

ORDERING INFORMATION

Product Type & Number	Description
CBR.TAP-10/100-R3	10/100 TAP, 1 Link, 1/3 19" rackmount housing (rackmount kit not included)
CBR.PS-12	Power supply AC/DC 240V AC-85V AC to 12V DC
CBR.RM19-3	Cubro 19" Rackmount Kit for 3x 1/3 19" units

For more information please check our website www.cubro.com