

Cubro 40 Gb BIDI TAP

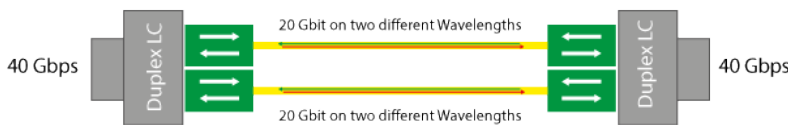
(For use with Cisco 40 Gbps BIDI QSFP)

PRODUCT OVERVIEW

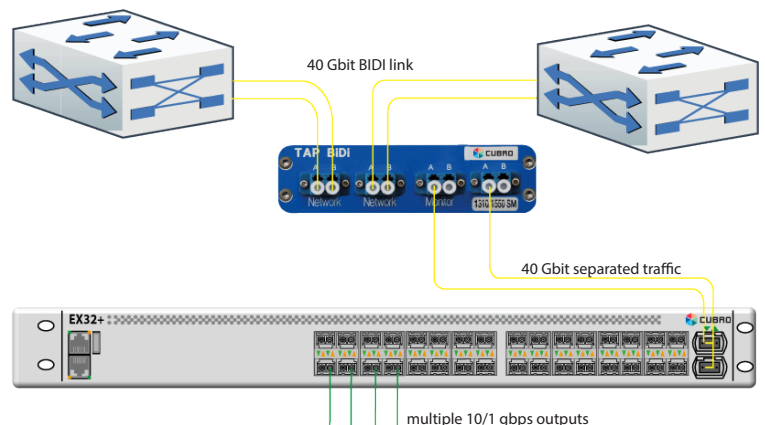


Cubro 40 Gb BIDI TAP provides visibility to bidirectional 40 Gbit traffic. The TAPs export monitored traffic gathered from across all four transmit signals, providing complete coverage for analytic and security tools. There are new smart concepts of transporting 40 Gbit over the existing 10 Gbit infrastructure with BIDI QSFP which transports 40 Gbit duplex over only two fibres.

The QSFP multiplex two 10 Gbit lanes to a 20 Gbit stream and sends this over a single fibre (bidirectional).



It is a challenge to tap such links, however, with Cubro Packetmaster EX32+ it is possible to tap such a link and break it down to multiple 10 Gbit link. Cubro 40 Gb passive BIDI TAP supports Cisco infrastructures using bidirectional 40 Gbit transceivers. The TAP, fully passive, is completely transparent and adds no delay to the network.



Network TAP

At a glance

Definition

A network TAP (test access point) is an external monitoring device that mirrors the traffic that passes between two network nodes. A TAP is a hardware device inserted at a specific point in the network to monitor data.

Advantages of BIDI TAP

- Provides visibility to bidirectional 40Gb traffic
- Full transparency, adds no delay
- Makes 100% copy of network data allowing the monitoring tools to see every bit, byte and packet
- No power supply needed, completely passive
- Flexible and scalable
- Cost effective

Functions / Benefits:

- Opens visibility to higher-density 40 Gb BIDI links, leveraging newer bidirectional optics
- Supports Cisco infrastructures using bidirectional 40 Gb transceivers
- Up to 3 BIDI TAPs can be mounted in one 19" rackmount kit which can be acquired optional

PRODUCT CAPABILITIES / FEATURES

Tapping BIDI optical fibres	One link two fibres to two outputs
Fault Propagation	If the link on the input port is going down, the output ports will follow with a short delay.
LED Indicator	No LED
No Power needed	Fully passive
Propagation Delay (In to Out)	No delay at all
MTBF	25178185 hours
Operating Temperature	0 to 55°C
Operating Humidity	80% maximum relative humidity
Physical Dimensions (H x W x D)	3 x 11,2 x 17-cm 1,8 x 4,4 x 6,7-in
Rugged Aluminium housing	Stable aluminium housing also available with precise connector labelling on front panel. 19" Rack mountkit also available

ORDERING INFORMATION

Product Type & Number	Description
CBR.BIDI-SM-1-R3	Optical BIDI TAP SM, 1 Link SM LC-duplex, Monitor Ports SM LC duplex; 1/3 19" rackmount housing (rackmount kit not included)
CBR.BIDI-SM-1-C-R3	Optical BIDI TAP SM, 1 Link SM (CISCO BIDI) LC-duplex, Monitor Ports SM LC duplex; 1/3 19" rackmount housing (rackmount kit not included)
CBR.RM19-3	Cubro 19" Rackmount Kit for 3x 1/3 19" units

For more information please check our website www.cubro.com